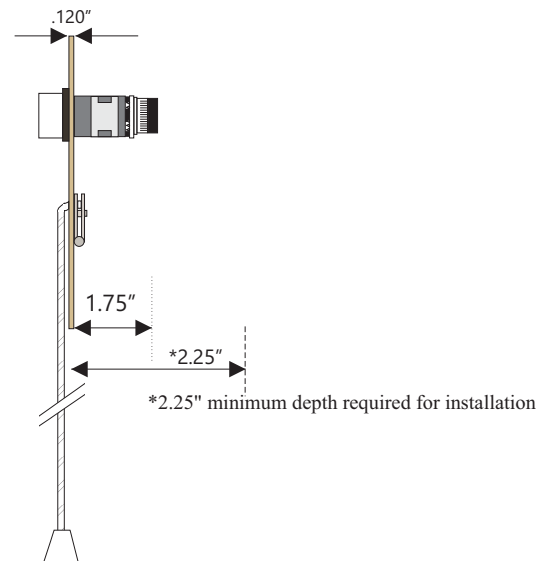
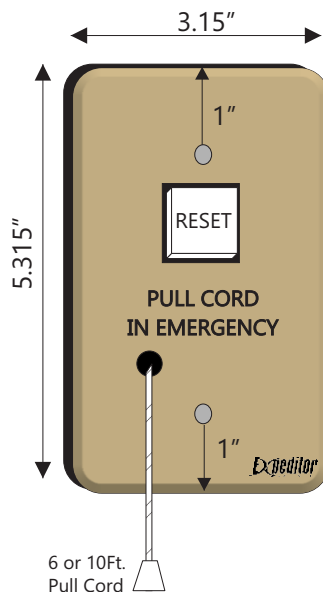


PULL CORD WITH RESET

Pull Cord with Reset panels are typically placed inside patient toilet areas. Patients can request assistance by pulling the cord, which is monitored via a dome light outside the room and at a monitor panel at appropriate locations throughout the facility.

Options include: engraved lenses, silkscreen legend on panel and six lens colors.

Expeditor systems offer total flexibility of feature integration and system layout. Due to the wide choice of applications available, system designs must be approved by qualified factory representatives. The quality standards of Expeditor systems require that all installations be performed by approved personnel.



FEATURES

CUSTOMIZED

Panels may be custom designed to meet user's specific requirements.

MODULAR

Plug in connections

SEALED

Dustproof components

SAFE

System operates on low voltage

MULTI-FUNCTION

Custom programming allows each switch to serve more than one function.

FULL SERVICE

Systems are handled by factory representatives from start to finish.

SPECIFICATIONS

ELECTRICAL - ROOM STATUS SYSTEM

- 1.0 Nurse Call Cord - Expeditor NCPC or equivalent.
- 1.1 Indicators shall be illuminated by LED's.
- 1.2 Indicators shall offer high visibility from up to 100 feet.
- 1.3 LED's shall be readily replaceable without disassembly of equipment.
- 1.4 Equipment may have legends engraved in lenses or silkscreened on panel to designate function of each indicator.
- 1.5 All connections shall be fully modular to facilitate installation and maintenance.
- 1.6 All switches shall be manufactured by Eaton/Compu-Lite.
- 1.7 Systems are UL1069 approved.

INSTALLATION

Pre-wire - Expeditor systems shall be wired with 24 gauge solid conductor cable. Cable shall be telephone type color code.
 Backboxes shall be installed level.
 NCPC shall require single gang box.